

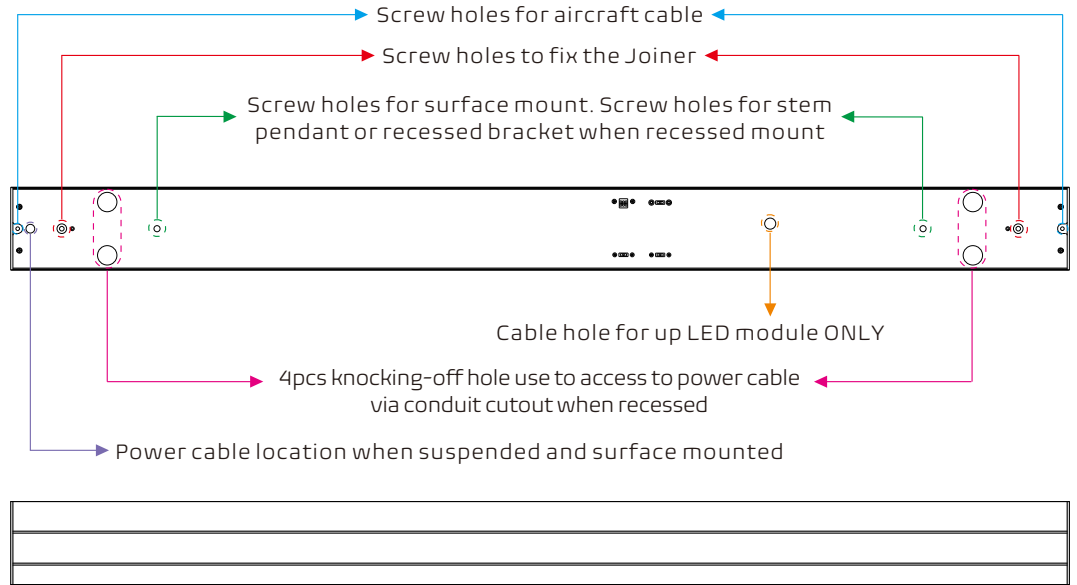
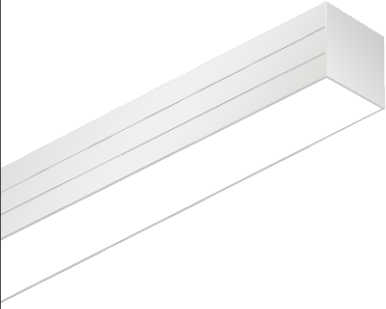
2.3" or 3.8" Width

SURFACE LED

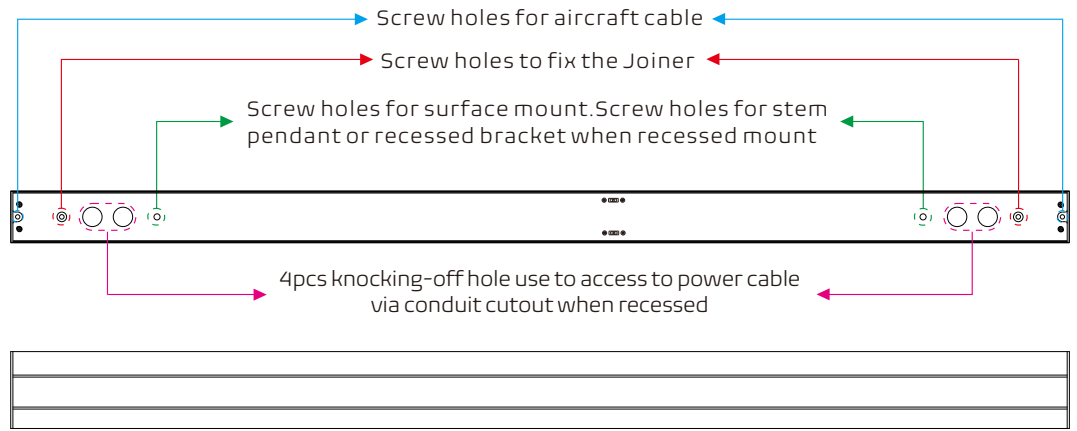
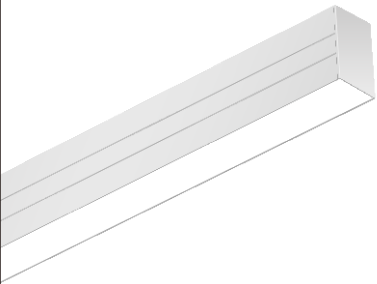
ARCHITECTURAL LED LUMINAIRE INDEPENDENT INSTALLATION

⚠ RISK OF FIRE AND ELECTRICAL SHOCK. FIXTURE MUST BE INSTALLED BY A QUALIFIED ELECTRICIAN ONLY IN ACCORDANCE WITH NATIONAL, LOCAL BUILDING AND ELECTRICAL CODES. DISCONNECT POWER AT ELECTRICAL PANEL BEFORE SERVICING.

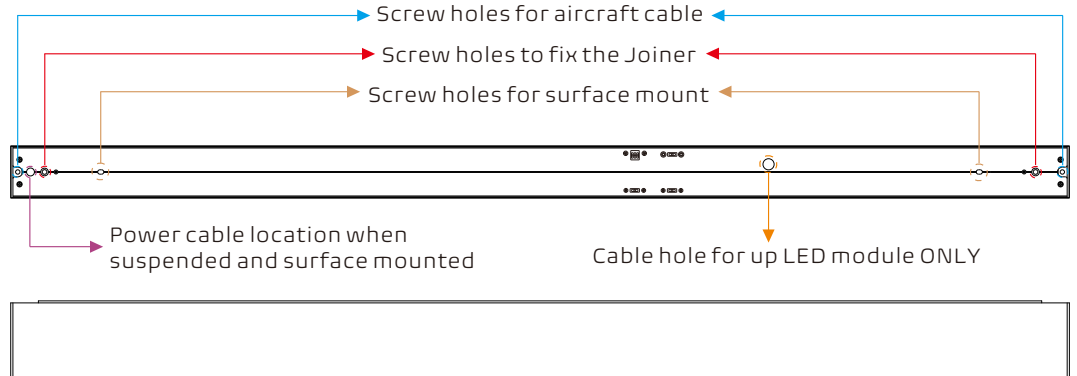
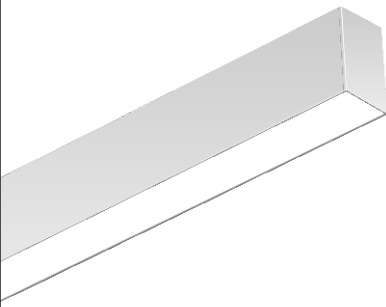
3.8" Width Linear



2.3" Width Linear - 1



2.3" Width Linear - 2



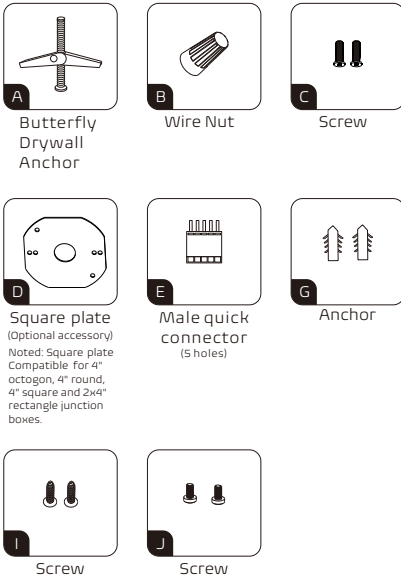
2.3" or 3.8" Width SURFACE LED ARCHITECTURAL LED LUMINAIRE INDEPENDENT INSTALLATION

⚠️ RISK OF FIRE AND ELECTRICAL SHOCK. FIXTURE MUST BE INSTALLED BY A QUALIFIED ELECTRICIAN ONLY IN ACCORDANCE WITH NATIONAL, LOCAL BUILDING AND ELECTRICAL CODES. DISCONNECT POWER AT ELECTRICAL PANEL BEFORE SERVICING.

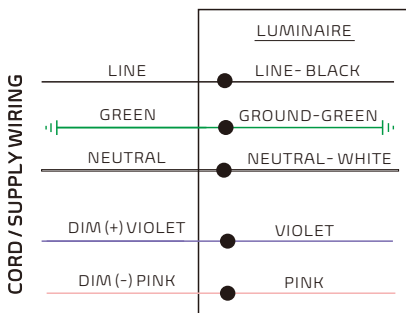
IMPORTANT

1. Read all instructions.
2. Install in accordance with national and local electrical code regulations.
3. This product is intended to be installed and serviced by a qualified, licensed electrician.
4. Do not install in wet locations. For dry and damp use only.
5. Turn off electrical power before installing or servicing fixture in any way.
6. To reduce the risk of fire and overheating, make sure all connections are tight.
7. Under no circumstances can the lighting fixture be covered with heat insulation gasket or similar materials.
8. The maximum connection of each input line is 40FT(1200CM) in 120AC, 80FT(2400CM) in 230AC, 100FT(3000CM) in 277AC.

ACCESSORY



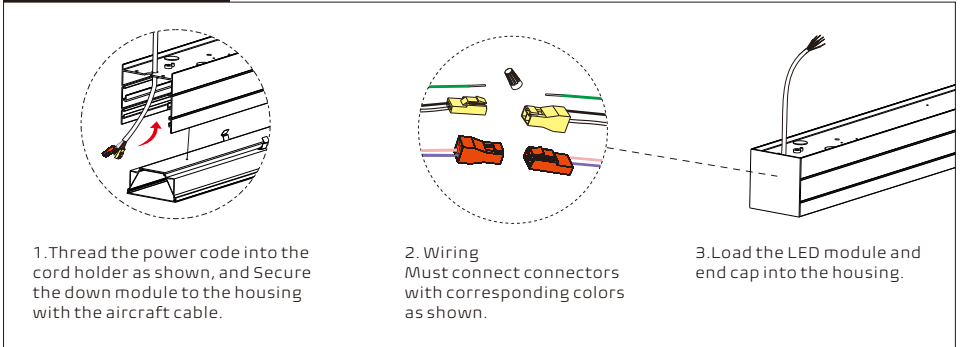
WIRING



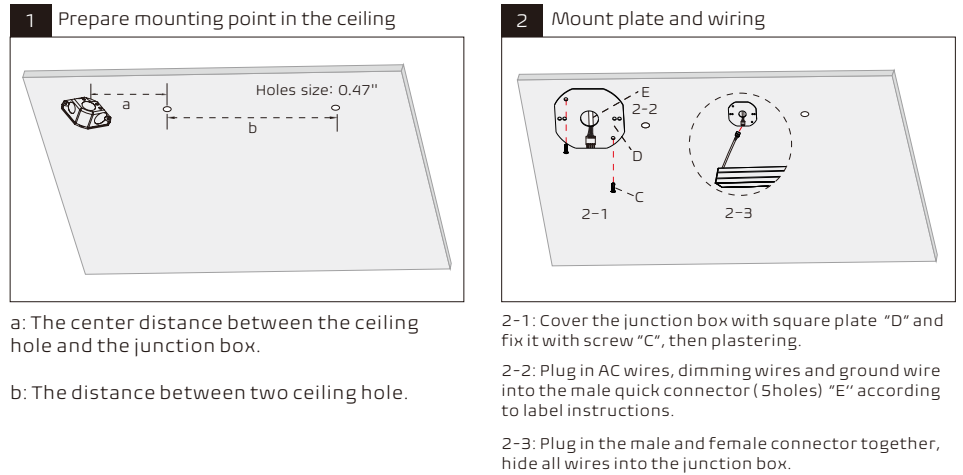
⚠️ Please isolate two dimming wires by P2 terminal individually if no need dimming; **MUST connect wires with corresponding colors as shown.**

PRE-INSTALLATION

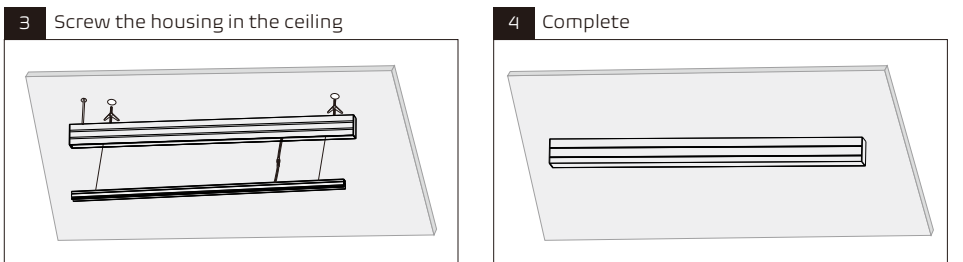
Assemble Luminaire



INDEPENDENT INSTALLATION



Nominal Length	2.3" or 3.8" Width Linear - Version 1 (Diffuser, Regress, Wall Wash)		2.3" Width Linear (Diffuser, Regress, Wall Wash)		2.3" Width Linear (Reflector, Louver)	
	"a"	"b"	"a"	"b"	"a"	"b"
	Feet	Feet	Feet	Feet	Feet	Feet
2 ft.	0.48'	0.88'	0.26'	1.30'	0.26'	1.31'
3 ft.	0.48'	1.88'	0.26'	2.30'	0.26'	2.30'
4 ft.	0.48'	2.88'	0.26'	3.30'	0.26'	3.28'
8 ft.	0.48'	6.84'	0.26'	7.26'	0.26'	7.22'

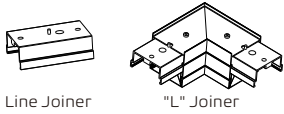


2.3" or 3.8" Width SURFACE LED

ARCHITECTURAL LED LUMINAIRE MULTIPLE LUMINAIRES CONNECTION

⚠ RISK OF FIRE AND ELECTRICAL SHOCK. FIXTURE MUST BE INSTALLED BY A QUALIFIED ELECTRICIAN ONLY IN ACCORDANCE WITH NATIONAL, LOCAL BUILDING AND ELECTRICAL CODES. DISCONNECT POWER AT ELECTRICAL PANEL BEFORE SERVICING.

JOINER OPTIONS



Noted: It needs 2 inputs if using joiner "T", "+" and "Y".

ACCESSORY

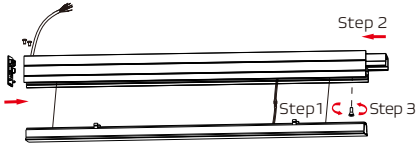


Noted: Silicone Seal is used to seal seams that may appear at both ends of luminaires when multiple connections.

BEFORE CONNECTING

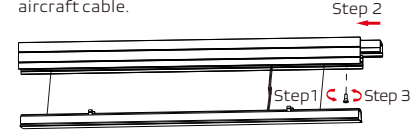
Disassemble Luminaires

LINE CONNECTION



Start of run (SoR):

Install the power feed cable, head end cap and endmost line joiner. Meanwhile secure the down module to the housing with aircraft cable.



Middle of run (MoR):

Install the endmost line joiner, and secure the down module to the housing with aircraft cable.



End of run (EoR):

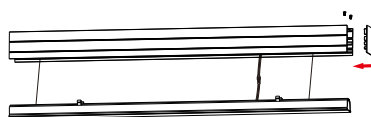
Install the endmost end cap, and secure the down module to the housing with aircraft cable.

L SHAPE CONNECTION



Start of run (SoR):

Install the power feed cable and head end cap. Meanwhile secure the down module to the housing with aircraft cable.

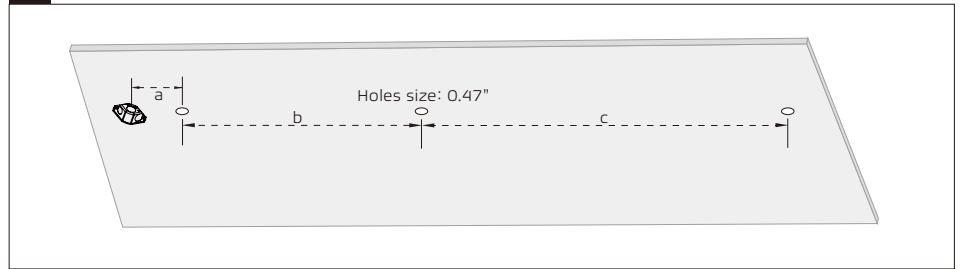


End of run (EoR):

Install the endmost end cap, and secure the down module to the housing with aircraft cable.

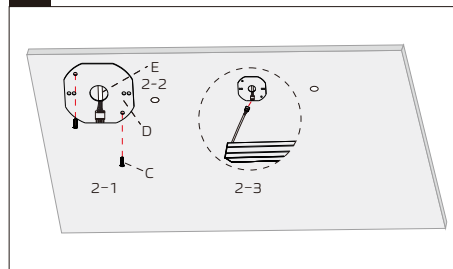
LINE CONNECTION

1 Prepare mounting point in the ceiling



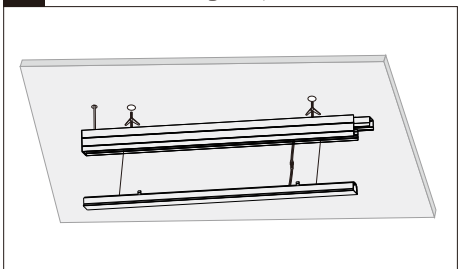
Nominal Length	2.3" or 3.8" Width Linear - Version 1 (Diffuser, Regress, Wall Wash)			2.3" Width Linear (Diffuser, Regress, Wall Wash)			2.3" Width Linear (Reflector, Louver)		
	"a"	"b"	"c"	"a"	"b"	"c"	"a"	"b"	"c"
2 ft.	0.48'	0.88'	1.96'	0.26'	1.30'	1.96'	0.26'	1.31'	1.97'
3 ft.	0.48'	1.88'	2.96'	0.26'	2.30'	2.96'	0.26'	2.30'	2.95'
4 ft.	0.48'	2.88'	3.96'	0.26'	3.30'	3.96'	0.26'	3.28'	3.94'
8 ft.	0.48'	6.84'	7.92'	0.26'	7.26'	7.92'	0.26'	7.22'	7.87'

2 Mount plate and wiring



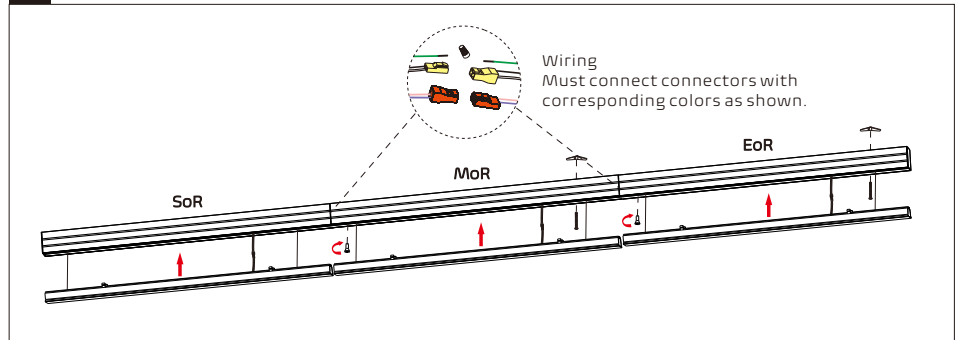
2-1: Cover the junction box with square plate "D" and fix it with screw "C", then plastering.
 2-2: Plug in AC wires, dimming wires and ground wire into the male quick connector (Sholes) "E" according to label instructions.
 2-3: Plug in the male and female connector together, hide all wires into the junction box.

3 Install the housing and joiner – SoR



3-1: Fix the housing in the ceiling with butterfly drywall anchor "A".
 Remark: Fix the housing with screws "I" if wooden frame ceiling. Fix the housing with Anchor "G" and Screws "I" if cement drywall.

4 Repeat install and join steps-MoR to EoR



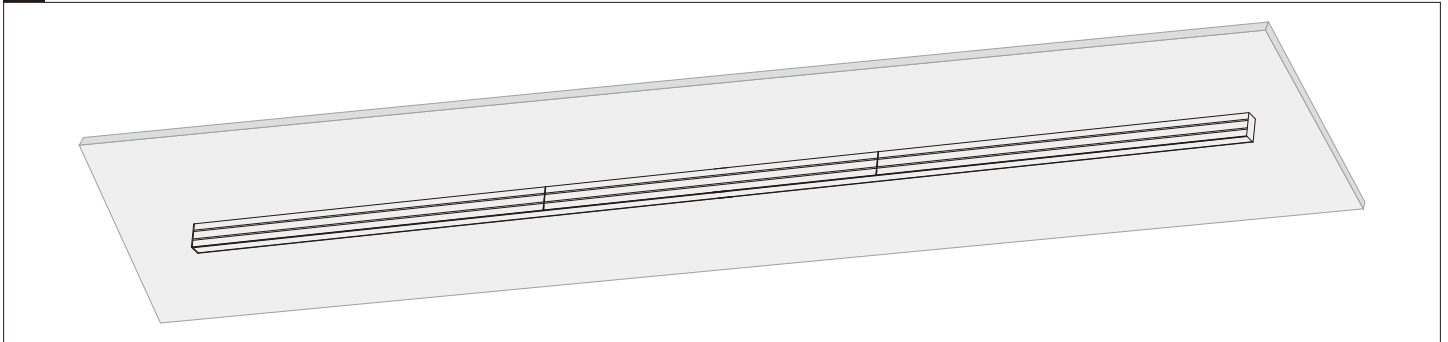
4-1: Fix the housing in the ceiling in turn.
 4-2: Connect the quick connectors properly.
 4-3: Insert all the led modules into the housing from SoR to EoR in turn.

2.3" or 3.8" Width SURFACE LED

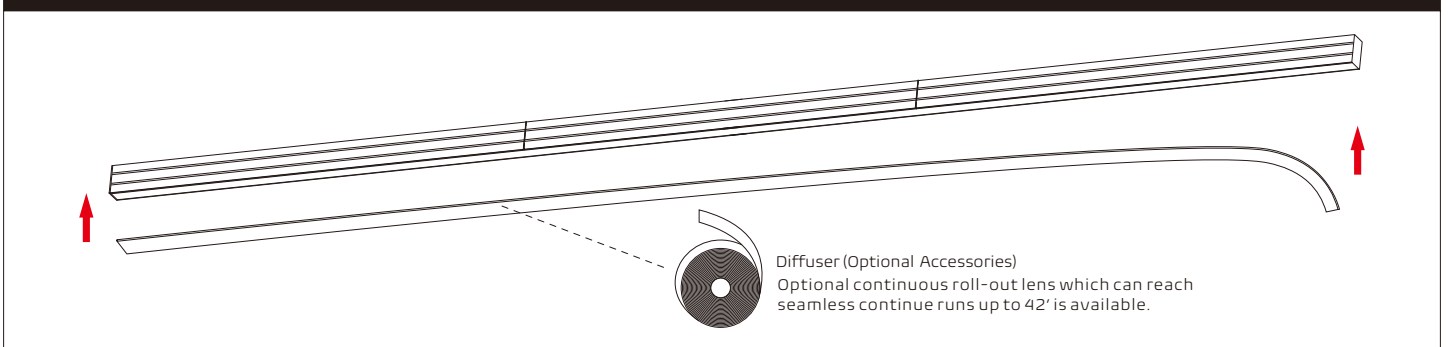
ARCHITECTURAL LED LUMINAIRE MULTIPLE LUMINAIRES CONNECTION

⚠ RISK OF FIRE AND ELECTRICAL SHOCK. FIXTURE MUST BE INSTALLED BY A QUALIFIED ELECTRICIAN ONLY IN ACCORDANCE WITH NATIONAL, LOCAL BUILDING AND ELECTRICAL CODES. DISCONNECT POWER AT ELECTRICAL PANEL BEFORE SERVICING.

5 Complete



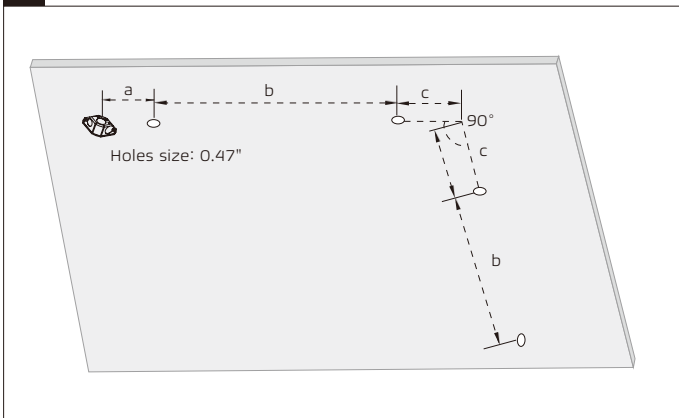
Optional 42' Diffuser Lens Roll



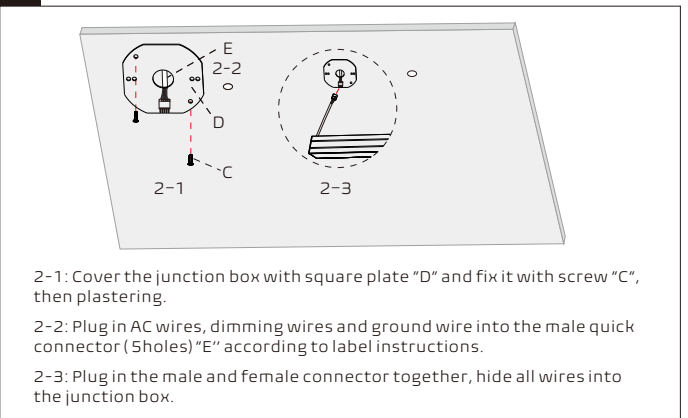
L SHAPE CONNECTION

- ▲ For "T", "+", "Y" shape or other geometric shapes, all subject to the "L" shape installation
- ▲ It needs 2 inputs if using joiner "T", "+" and "Y".

1 Make hole in the ceiling



2 Mount plate and wiring



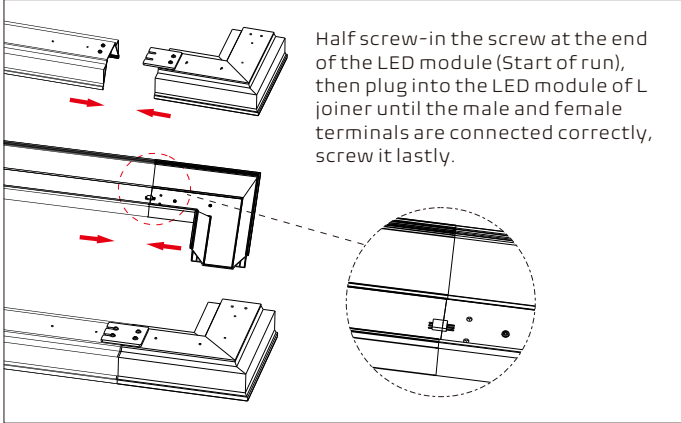
Nominal Length	3.8" Width Linear - Version 1 (Diffuser, Regress, Wall Wash)			2.3" Width Linear - Version 1 (Diffuser, Regress, Wall Wash)			2.3" Width Linear (Diffuser, Regress, Wall Wash)				2.3" Width Linear (Reflector, Louver)		
	"a"	"b"	"c" Illuminated "L" Joinder	"a"	"b"	"c" Illuminated "L" Joinder	"a"	"b"	"c" Illuminated "L" Joinder	"c" Non-luminous "L" Joinder	"a"	"b"	"c" Non-luminous "L" Joinder
2 ft.	0.48'	0.88'	0.39'	0.48'	0.88'	0.33'	0.26'	1.30'	0.33'	0.10'	0.26'	1.31'	0.10'
3 ft.	0.48'	1.88'	0.39'	0.48'	1.88'	0.33'	0.26'	2.30'	0.33'	0.10'	0.26'	2.30'	0.10'
4 ft.	0.48'	2.88'	0.39'	0.48'	2.88'	0.33'	0.26'	3.30'	0.33'	0.10'	0.26'	3.28'	0.10'
8 ft.	0.48'	6.84'	0.39'	0.48'	6.84'	0.33'	0.26'	7.26'	0.33'	0.10'	0.26'	7.22'	0.10'

2.3" or 3.8" Width SURFACE LED

ARCHITECTURAL LED LUMINAIRE MULTIPLE LUMINAIRES CONNECTION

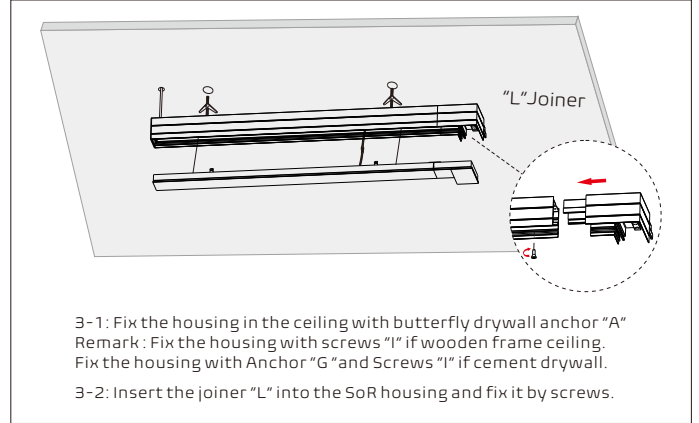
⚠ RISK OF FIRE AND ELECTRICAL SHOCK. FIXTURE MUST BE INSTALLED BY A QUALIFIED ELECTRICIAN ONLY IN ACCORDANCE WITH NATIONAL, LOCAL BUILDING AND ELECTRICAL CODES. DISCONNECT POWER AT ELECTRICAL PANEL BEFORE SERVICING.

3



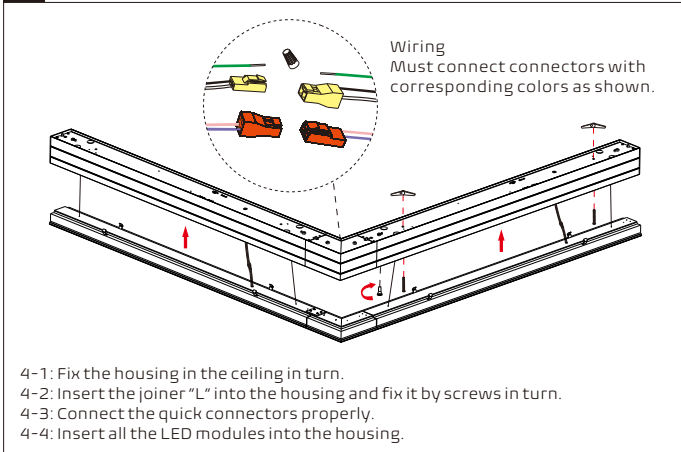
Half screw-in the screw at the end of the LED module (Start of run), then plug into the LED module of L joiner until the male and female terminals are connected correctly, screw it lastly.

4 Install the housing and joiner – SoR



3-1: Fix the housing in the ceiling with butterfly drywall anchor "A"
Remark: Fix the housing with screws "I" if wooden frame ceiling. Fix the housing with Anchor "G" and Screws "I" if cement drywall.
3-2: Insert the joiner "L" into the SoR housing and fix it by screws.

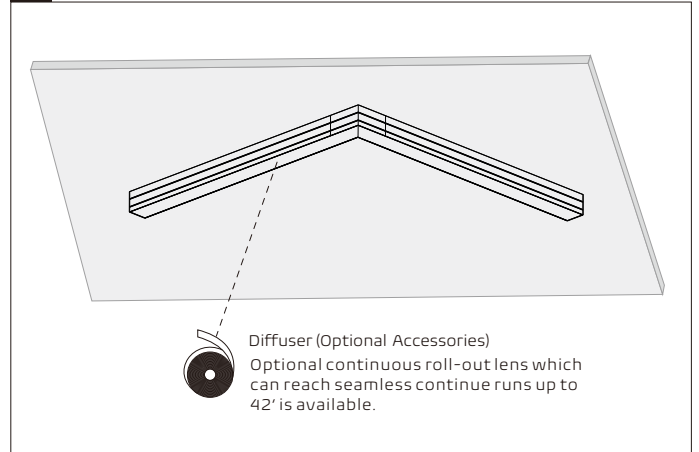
5



Wiring
Must connect connectors with corresponding colors as shown.

4-1: Fix the housing in the ceiling in turn.
4-2: Insert the joiner "L" into the housing and fix it by screws in turn.
4-3: Connect the quick connectors properly.
4-4: Insert all the LED modules into the housing.

6 Complete



Diffuser (Optional Accessories)
Optional continuous roll-out lens which can reach seamless continue runs up to 42' is available.